

HANDRAIL BRACKETS

TESTED TO LIVE LOAD STANDARD AS 1170.1 2002



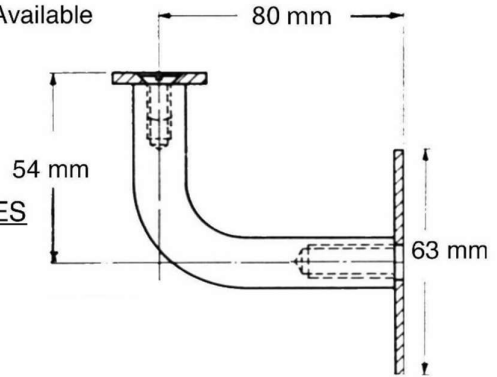
TC 100 HANDRAIL BRACKET CONCEALED WALL FIXING



Curved Top Plates Also Available

MATERIAL
MILD STEEL
STAINLESS STEEL
(303/304G)

STANDARD FINISHES
SATIN CHROME
MATTE BLACK
BRIGHT CHROME
GOLD PLATED
ZINC PLATED
STAINLESS STEEL (303/304G)



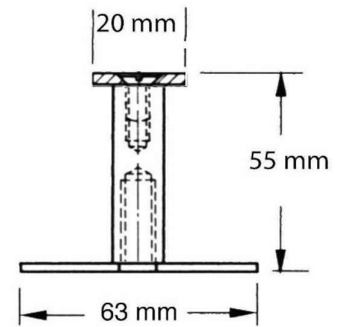
TC 100 V VERTICAL HANDRAIL BRACKET CONCEALED WALL FIXING



Curved Top Plates Also Available

MATERIAL
MILD STEEL
STAINLESS STEEL (303/304G)

STANDARD FINISHES
SATIN CHROME
MATTE BLACK
BRIGHT CHROME
GOLD PLATED
ZINC PLATED
STAINLESS STEEL (303/304G)

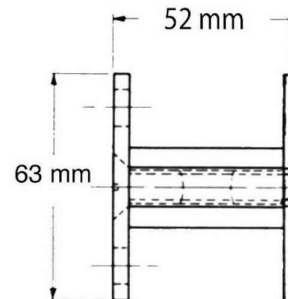


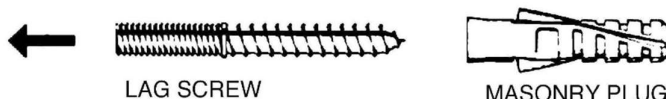
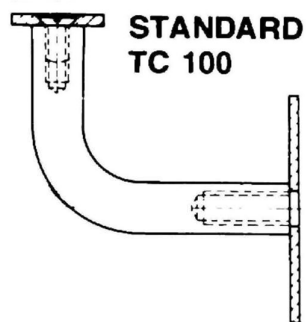
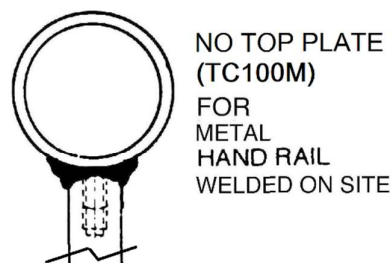
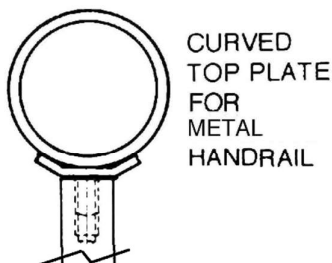
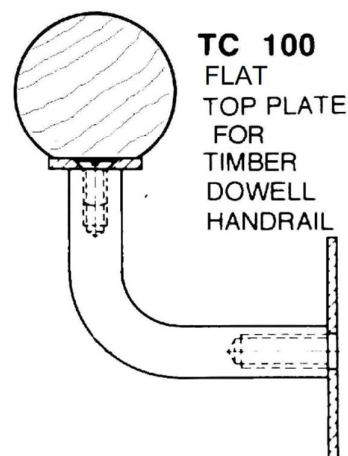
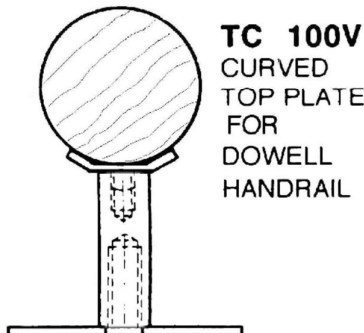
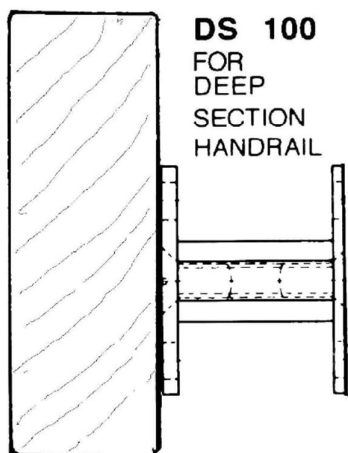
DS 100 DEEP SECTION HANDRAIL & GUARDRAIL BRACKET CONCEALED WALL FIXING



MATERIAL
MILD STEEL

STANDARD FINISHES
SATIN CHROME
ZINC PLATED





TIMBER / MASONRY FIXINGS

- Due to possible differences in applications, the installer must make their own evaluation of the suitability and strength of the bracket for their specific application. Installation of handrails should be fitted in accordance with relevant local and state regulations.
- All brackets NOT listed as stainless steel are only suitable for indoor dry area use.
- Brackets listed as stainless steel contain components of both 303 and 304 grade stainless steel. The installer must make their own evaluation of the suitability and maintenance requirements of the bracket for their specific application. 303 and 304 grade stainless steel is not a marine grade stainless steel. For some further information on Stainless Steel and its use, please see <http://www.assda.asn.au/technical-info/technical-faqs>
- Matco Handrails gives a 12 (twelve) month Warranty against defective product, provided the product has not been misused, abused, damaged, altered, incorrectly installed, or where the incorrect strength / grade of steel is used.
- For further information, a full copy of our Warranty, and for our full terms and conditions which apply to the sale of all our products, please see www.matco.com.au